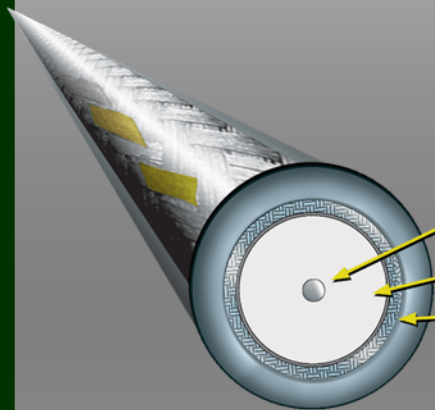


STRAIGHT WIRE

DATA-LINK

DIGITAL AUDIO INTERCONNECTS



Laboratory Grade Solid Silver (99.99%)

reference level bandwidth

Super Foam Polyethylene Insulation

controls Impedance of all digital data

Dual Silver Plated Braid and Foil Shields

eliminates all forms of interference

Coaxial 75 ohm SPDIF Format

DATA-LINK is a premium silver digital 75 ohm coaxial cable that offers remarkable performance attributes for discerning audio/video enthusiasts. This cable was designed for premium (level 3) digital data applications. It provides near constant phase angle for highest quality Spdif digital signal transmissions. DATA-LINK combines a laboratory grade solid silver (99.99%) center conductor with consistently super - foamed polyethylene insulation to carefully control the impedance of all digital data. Dual silver plated braid and foil shields are carefully constructed to eliminate all forms of interference and maintain a consistent 75 ohm impedance. Available with either RCA or BNC terminations.

LEVEL 3 - ADVANCED

INNOVATIVE TECHNOLOGY, HIGH RESOLUTION CABLES